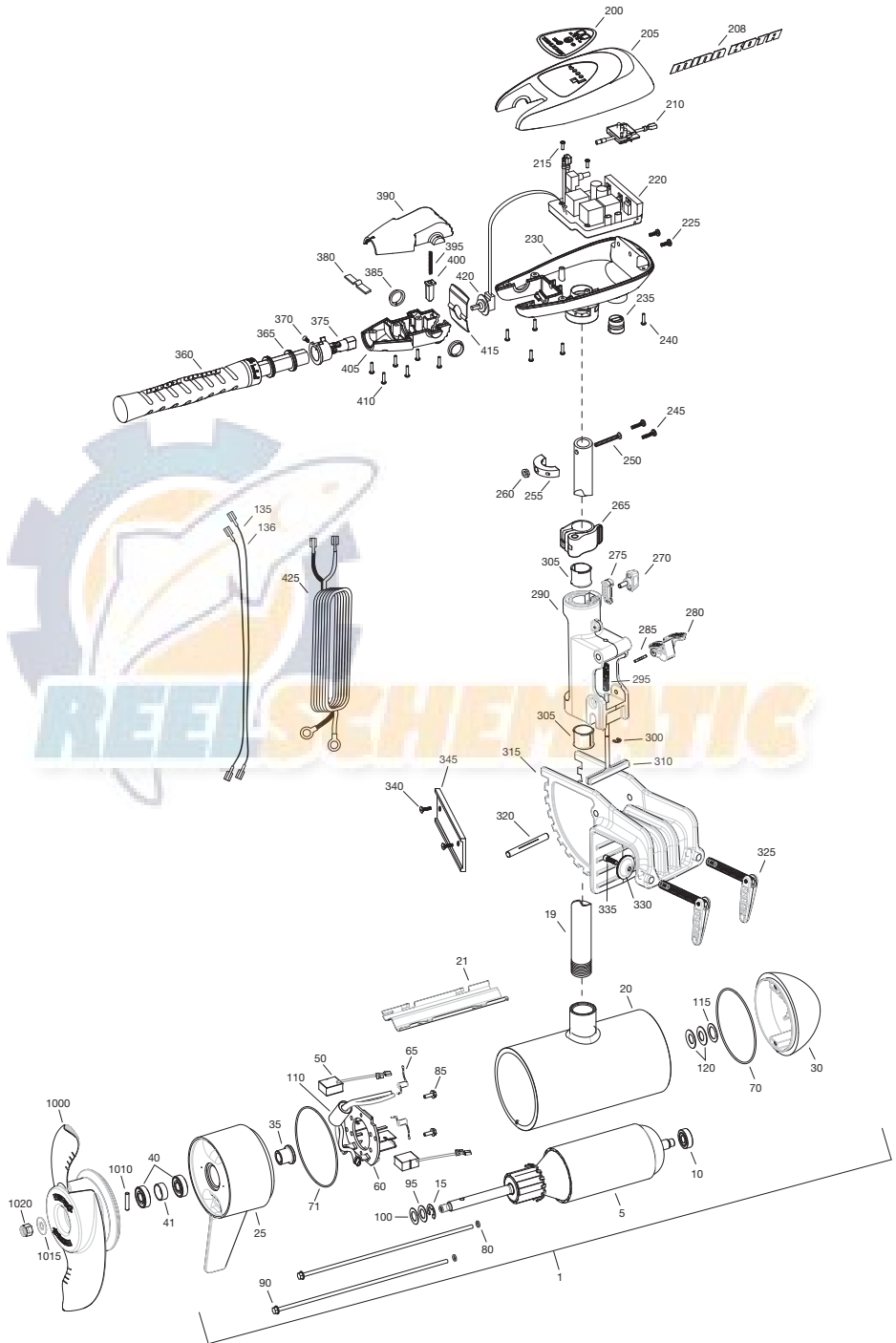


RT112/T
112 LBS THRUST
36 VOLT / 52 AMPS
52" SHAFT

for use with "0" serial numbers
2-year warranty



Item	P/N	Description	Qty	Item	P/N	Description	Qty
1	2317091	36V Motor 52" SW	1	290	2071863	Hinge-SW	1
5	2-100-245	Armature assembly	1	295	2332700	Spring-(T-bar), SS	1
10	140-014	Bearing	1	300	2333001	E-ring, SS	1
15	788-040	Retaining ring	1	305	2037301	Bushing, hinge	2
19	2002014	Tube 52"	1	310	2073604	T-bar, (e-coat)	1
20	2-200-340	Center housing assembly	1	315	2071942	Bracket, die cast SW	1
21	582-016	Retaining clip	1	320	2070514	Pin-Hinge, 3/8 x 3.5, SS	1
25	2-300-151	Brush end housing assembly	1	325	2991303	Clamp screw, handle assy.	2
30	421-241	Plain end housing assembly STD	1	330	2331700	Washer-clamp screw, SS	2
35	144-017	Flange bearing	1	335	2263452	Screw, 1/4-20 x 3/4 SHCS, SS	2
40	880-025	Seal	2				
41	725-095	Paper tube - seal bore	1	■	2994844	Bag assembly, transom extrusion	
50	188-095	Brush	2	340	2053421	Screw 1/4-14 x 1 PFH, SS	2
60	9-738-011	Brush plate assembly	1	345	2058415	Transom extrusion	1
65	975-045	Brush spring	2				
■	2881450	Seal and O-ring Kit [40, 70-80]		■	2990957	Handle assy, VARS [360-410]	1
70	701-098	O-ring, plain end	1	360	2990456	Grip/handle assy, VARS [360-375]	1
71	701-046	O-ring, brush end	1	365	2060015	Bearing, handle	2
80	701-009	O-ring, thru-bolt	2	370	2063405	Screw, #6 PFH SS	1
85	2053410	Screw, 10-32 x 1/2"	2	375	2884092	Yoke / spider assy, VARS	1
90	830-094	Thru-bolt 12-24	2	380	2302742	Spring, detent, off	1
95	990-051	Washer, steel	1	385	2060005	Bearing, handle pivot	2
100	990-052	Washer, nylatron	2	390	2060900	Handle pivot, top	1
110	2777312	Ferrite bead w/ shrink	1	395	2302745	Spring, release button	1
115	990-011	Washer, shim	1	400	2063700	Button, release	1
120	992-011	Washer, belleville	2	405	2060905	Handle pivot, bottom	1
135	640-041	Leadwire, black 52"	1	410	2303412	Screw, #6 x 5/8 SS	6
136	640-141	Leadwire, red 52"	1	415	2062715	Spring, handle pivot	1
				420	2061700	Washer, pot holder	1
200	2095605	Decal, c-box cover	1	425	2992523	Leadwire assy, includes [235]	1
205	2060296	C-box cover	1				
208	2325666	Decal - Minn Kota	2	■	1378160	Propeller kit WW2 [1000-1020]	
210	2074082	Battery meter, 36V SW	1	■	2994876	Propeller bag assy [1010-1020]	
215	2043427	Screw, #8 x 7/8 SS	2	1000	2341160	Propeller WW2	1
220	2184017	Control board, 24/36V	1	1010	2262658	Drive pin, large	1
■	2888411	Potentiometer Replacement Kit		1015	2091701	Washer, prop, large	1
225	2303434	Screw, #8-30 x 5/8 SS	2	1020	2198401	Nut, nylock, prop, Anode	1
230	2062503	Control box, VARS, SW	1				
235	2062905	Strain relief	1				
240	2303412	Screw, #6 x 5/8 SS	6				
245	2263434	Screw, #8 x 1 SS	2				
250	2383406	Screw, #10-24 x 2" PPH SS	1				
255	2061517	Collar, c-box	1				
260	2333101	Nut, 10-24, nylock, SS	1				
265	2991521	Cam lock/depth collar assy	1				
■	2991714	Bracket assy, Aluminum [270-335]	1				
270	2011366	Knob, screw-collar, SS	1				
275	2062801	Tension block	1				
280	2077202	Lever-tilt, transom bracket	1				
285	2070512	Pin-hinge, 1/8 x 1	1				

* This item is part of an assembly. This item cannot be sold separately due to machining and /or assembly that is required.

12-24-36 VOLT VARIABLE SPEED MODELS

THIS IS A UNIVERSAL MULTI-VOLTAGE DIAGRAM. DOUBLE CHECK YOUR MOTORS VOLTAGE FOR PROPER CONNECTIONS

Riptide 112 is 36-volt only!

